

Installing the 8-Vial Turret for the Automatic Liquid Sampler

Agilent 7683B Automatic Liquid Sampler

You have just received the G2913-40010 8-vial turret used on the automatic liquid sampler (Figure 1). This 8-vial sample turret has two solvent positions (labeled **A** and **B**), and one waste position (labeled **WA**). You can control all necessary parameters using the 6890 series GC keyboard, the 6850 GC handheld controller, an Agilent data analysis system, or the G2911AA controller software. You cannot, however, use the G2614A or G2916A 100-vial sampler trays with this turret.

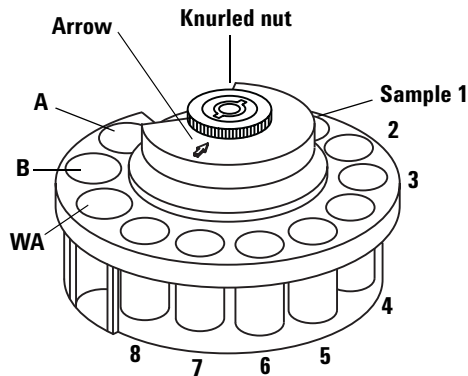


Figure 1 8-Vial turret



Installing the turret

- 1 For a 5890/6890 GC with a tray:
 - If you are changing from the 1-sample transfer turret to the 8-sample turret, disable the tray.
 - If you are changing from the 8-sample turret to the 1-sample transfer turret, enable the tray.

The 5890 Series II GC uses a software program run on a PC connected to the controller to configure the tray. Run the program, select **Configuration**, and either *check* (to enable) or *uncheck* (to disable) the tray. Select **Send Settings to ALS** to download the new setting to the controller.

All 6890 GCs disable the tray using the GC keypad.

- 2 Open the injector door. Unscrew and remove the knurled nut from the top of the turret.

- 3 Rotate the turret so that the open section faces the back of the tower and the arrow on top of the turret points directly back (Figure 2). Push the stripper arm toward the back, then lift the front of the turret so that it clears the center shaft. Remove the turret.

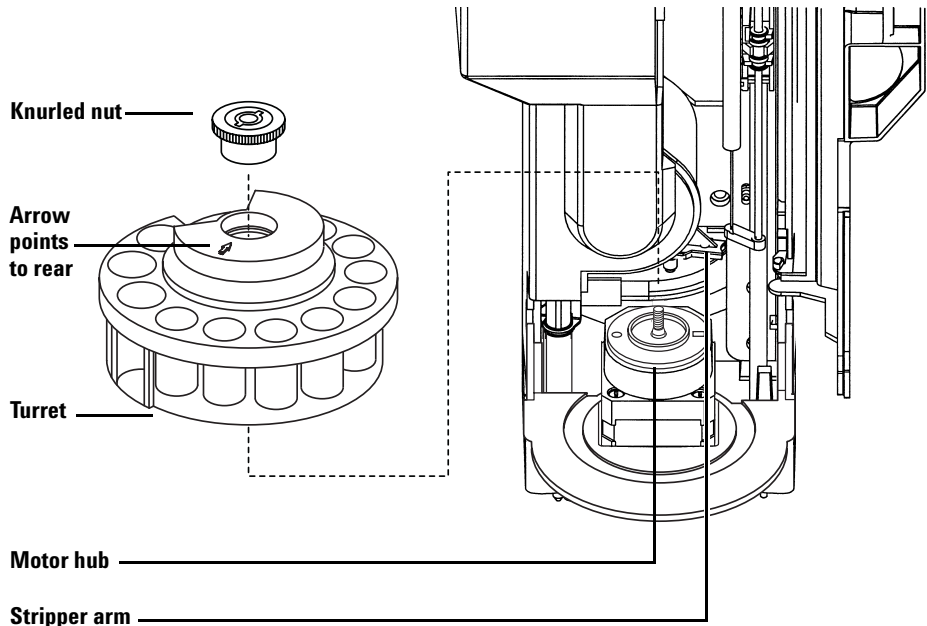


Figure 2 Removing the turret

- 4 Push the stripper arm to the back of the tower, insert the turret with the open section facing the back of the tower and the arrow pointing back, and install the turret. Seat the turret on the hub, rotating it gently until it drops partially into position then push it down. The top of the threaded shaft will be almost level with the top of the turret.
- 5 Replace the knurled nut and tighten it firmly using fingers only.
- 6 Close the injector door. The injector will verify the turret type if it is powered. If the fault light comes on the turret is not installed correctly.
- 7 If using the 5890 ALS controller software, select **Read Settings from ALS** to upload the new turret type.



Agilent Technologies

© Agilent Technologies, Inc. 2004, 2005

No part of this manual may be reproduced in any form or by any means (including electronic storage and retrieval or translation into a foreign language) without prior agreement and written consent from Agilent Technologies, Inc. as governed by United States and international copyright laws.

G2913-90300

First edition, July 2004

Second edition, August 2005

Printed in China

Agilent Technologies, Inc.

2850 Centerville Road

Wilmington, DE 19808-1610 USA